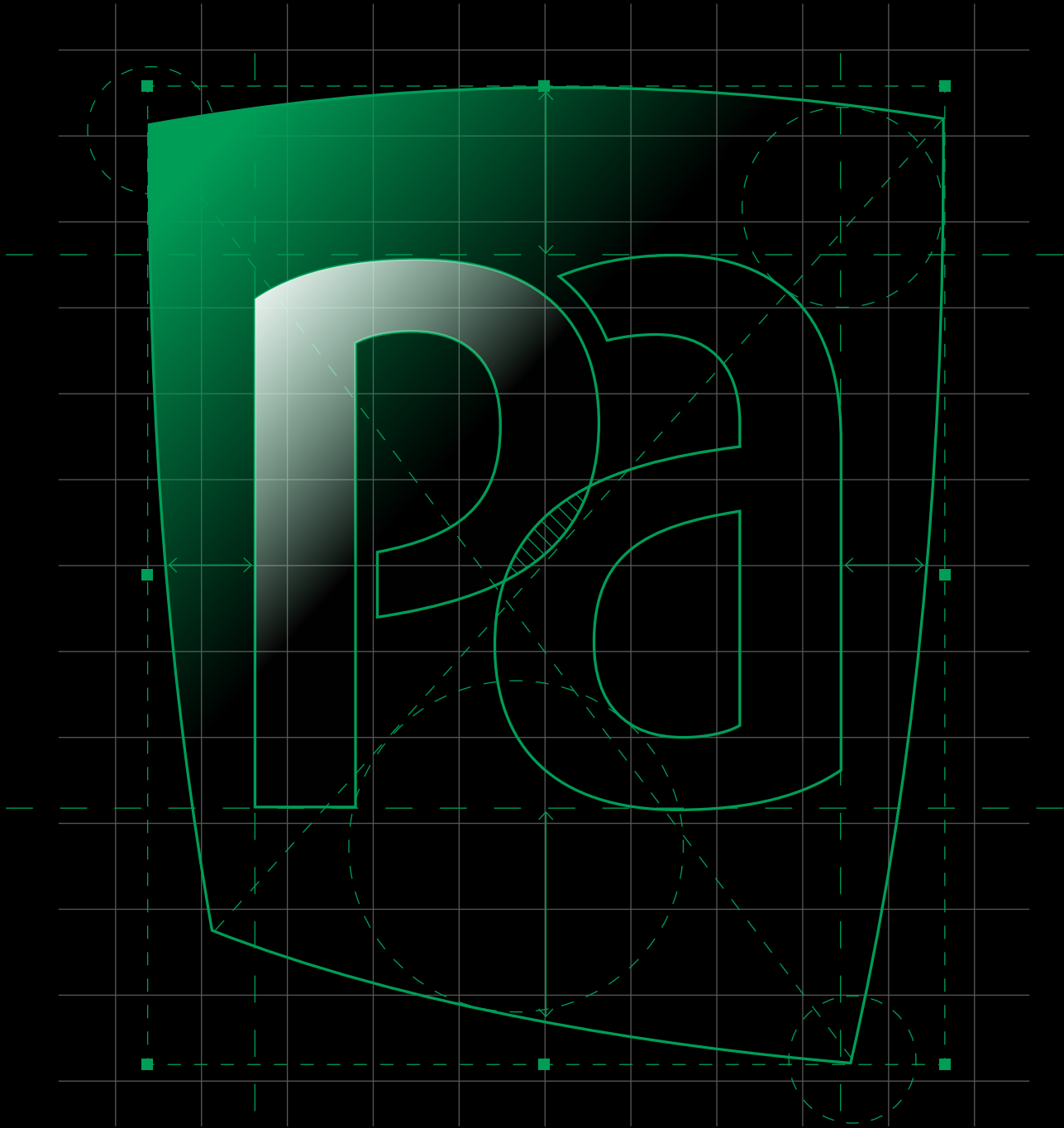




Peerless-Assigns
Total Retail Solutions



Merchandising Display Systems

PRODUCT OVERVIEW

01462 672 000
www.peerlessassigns.com



Peerless-Assigns
Total Retail Solutions

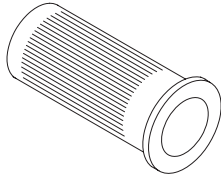
Data Sheets Contents.

FERRULES & FITTINGS

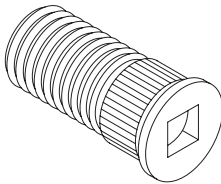
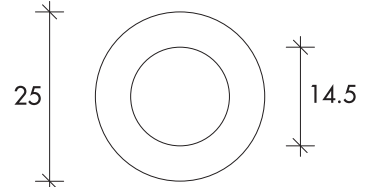
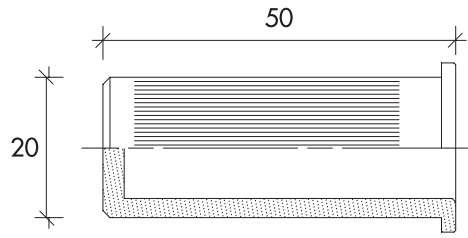
- D.01** Ferrule Range
- D.02** Push-Fit Ferrules
- D.03** Quartz Round Ferrules
- D.04** Cap Ferrule Range

D.01 Ferrule Range

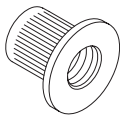
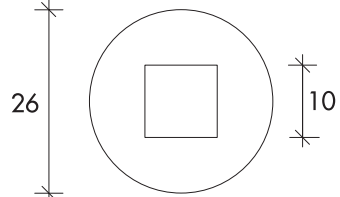
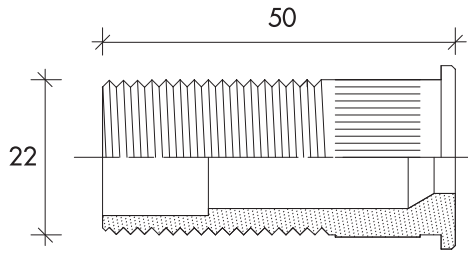
A concise range of ferrules for light, medium and heavy duty applications, our collection of ferrules are the perfect simple modular retail solution. Supplied loose for mounting into timber panels or posts, ferrules are designed to receive a range of display prongs and fittings. Suitable for use in all retail scenarios, Peerless-Assigns ferrules have been specified in numerous projects over the years earning a fabulous reputation for quality and flexibility.



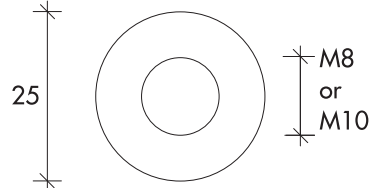
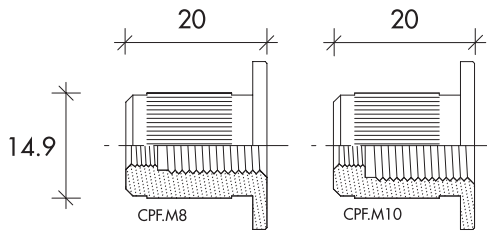
CPP.14
PUSH FIT FERRULE
(see data sheet D.02)



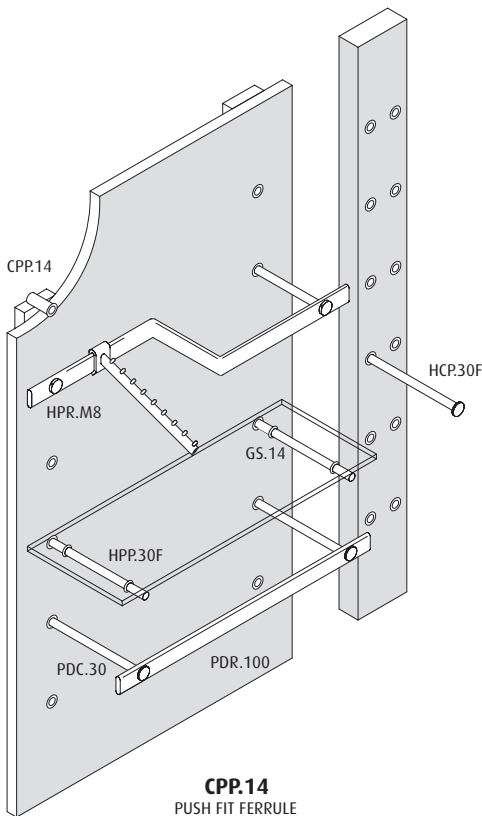
CPP.18
QUARTZ ROUND FERRULE
(see data sheet D.03)



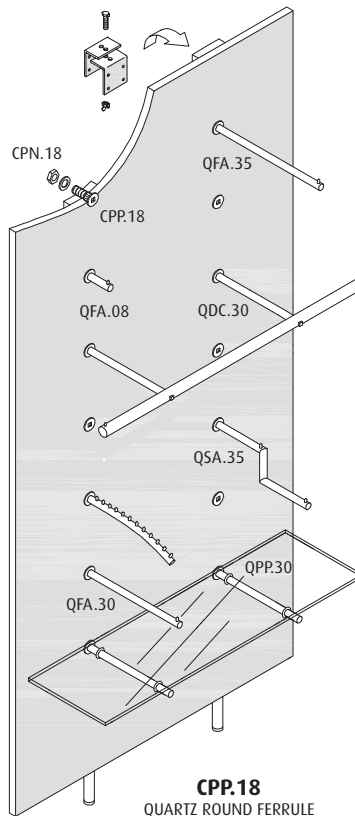
CPF.M8/M10
CAP FERRULE
(see data sheet D.04)



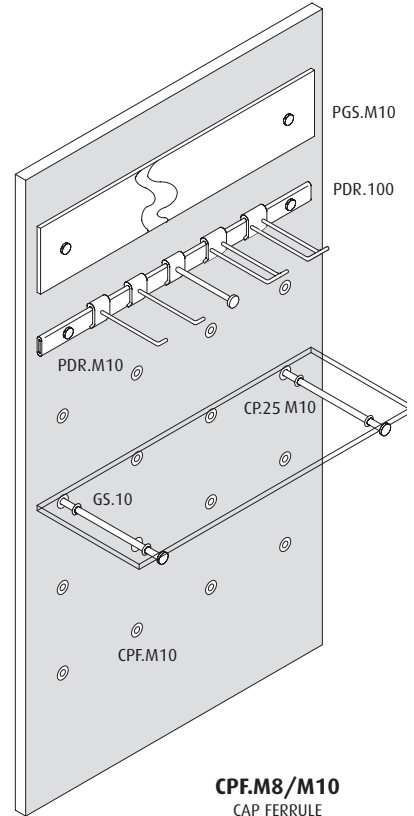
2 sets of **WU.28** wall fixing brackets are supplied per panel



CPP.14
PUSH FIT FERRULE
Layout example



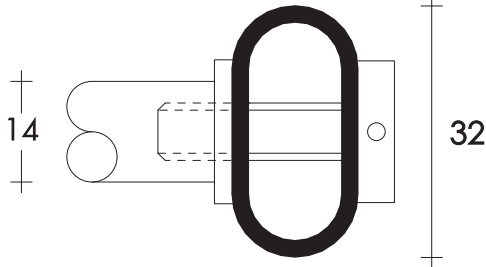
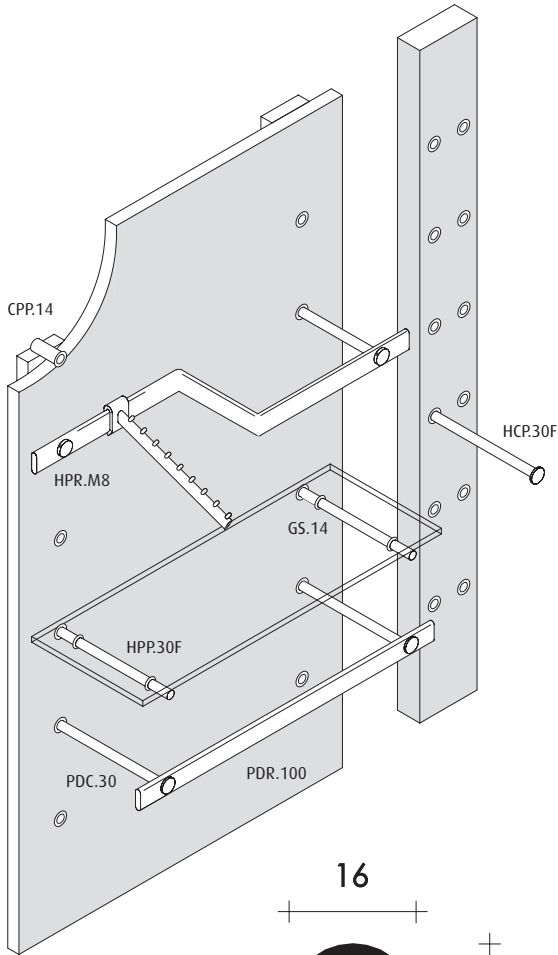
CPP.18
QUARTZ ROUND FERRULE
Layout example



CPF.M8/M10
CAP FERRULE
Layout example

D.02 Push-Fit Ferrules

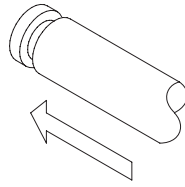
Push-fit Ferrules can be supplied loose or prefitted into timber panels or other fixtures to suit your personal specification. Push-fit ferrules are often utilised in a combination of fashion and accessory displays, where support rods and arms illustrated below are fitted with a 'friction fit' using a rubber gasket for additional security. Due to the fine tolerances of the friction fit, these components are not suitable for powder coating but can be plated in a variety of finishes.



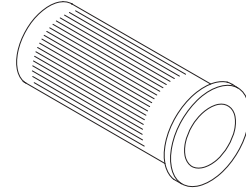
Light display rails and accessories are available for location into ferrules at specified centres using support rods and screws. Alternative lengths available to order.



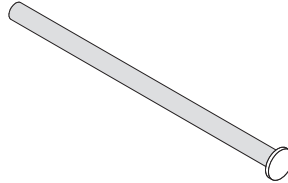
PDR.100
DISPLAY RAIL
LENGTH 995
for fixing in ferrules at specified centres



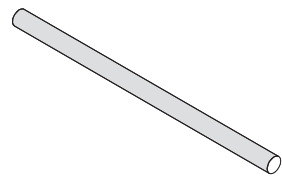
FRICTION FIT



CPP.14
PUSH-FIT FERRULE
For face fixing into timber panels or posts, using heavy duty adhesive. A minimum timber thickness of 50mm is required to hold the ferrule securely. Ferrules should be fitted at a 1° uprake in accordance with our installation sheet.



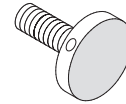
HCP.30F/35F
FORWARD ARM
LENGTH 300 / 350
friction fit



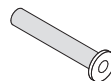
HPP.30F/35F
SHELF SUPPORT ROD
LENGTH 300 / 350
to be used with GS.14



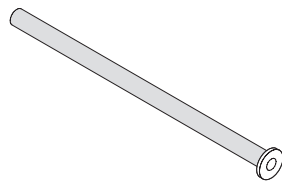
GS.14
SHELF WASHER
to suit 14mm arms, for use with glass shelves



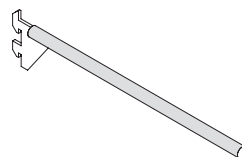
HPR.M8
DISPLAY RAIL SCREW



PDC.01
DISPLAY RAIL SUPPORT ROD
LENGTH 30



PDC.30
EXTENDED DISPLAY RAIL SUPPORT ROD
LENGTH 310



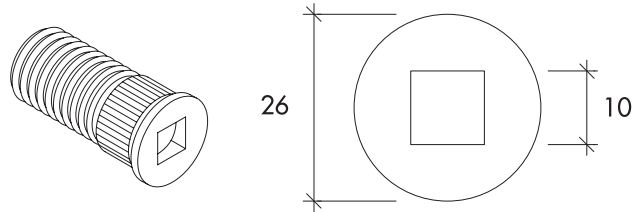
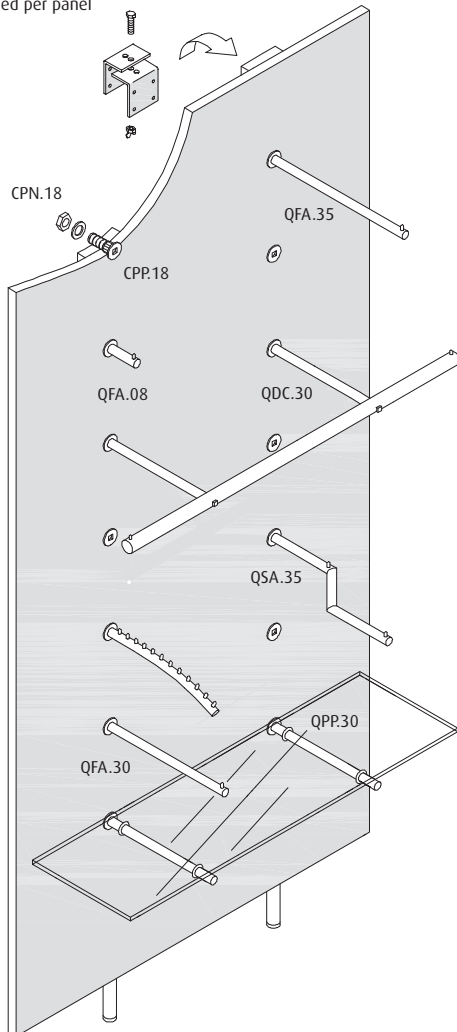
CDC.30
EXTENDED RAIL
LENGTH 320 o/a
for location into upright

PLEASE NOTE:
Additional arms, rails and rods are available at a size that suits your requirements. Please contact us using the details below to discuss your needs.

D.03 Quartz Round Ferrules

Quartz round ferrules are available for use within a variety of perimeter and island display applications. Supplied loose for mounting into timber panels or posts, ferrules should be bonded securely to prevent rotation or movement.

2 sets of **WU.28** wall fixing brackets are supplied per panel



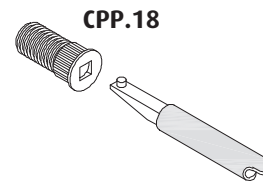
CPP.18

QUARTZ ROUND FERRULE

Ferrules used with optional CPN.18 rear nut and washer are recommended to be housed within 38mm minimum depth of timber including appropriate packers as required. For ferrules used alone, 50mm depth of timber is advisable to achieve optimum strength when bonded. NOTE: snug holes to receive ferrules should always be drilled consistently using an accurate jiggig method.



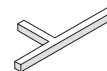
CPN.18
NUT / WASHER SET



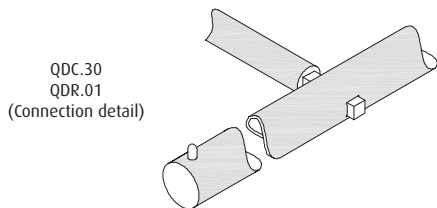
CPP.18



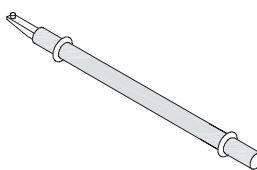
GS.18
SHELF WASHER



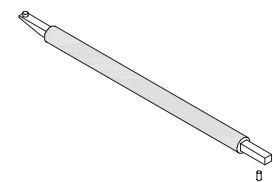
QFK.01
KEY TOOL
jiggig tool aid for
fixing of ferrules



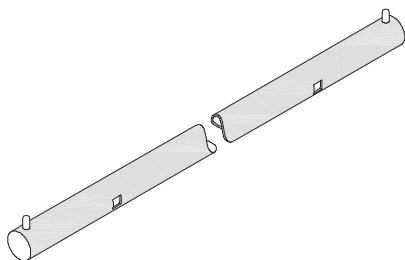
QDC.30
QDR.01
(Connection detail)



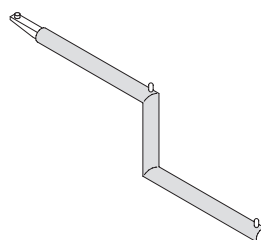
QPP.20/25/30/35
SHELF SUPPORT RODS
for use with GS.18 shelf washer
LENGTH 200,250,300,350



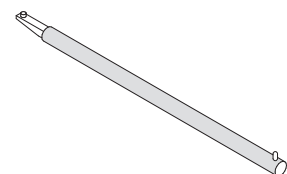
QDC.30
DISPLAY RAIL SUPPORT
for use with QDR.01
LENGTH 300



QDR.01
32ø DISPLAY RAIL
For location onto support rods
LENGTH TO ORDER



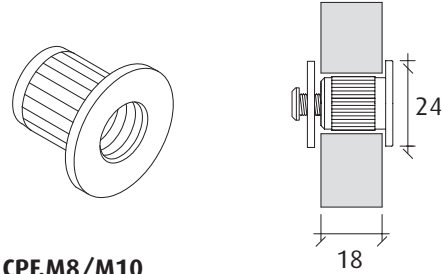
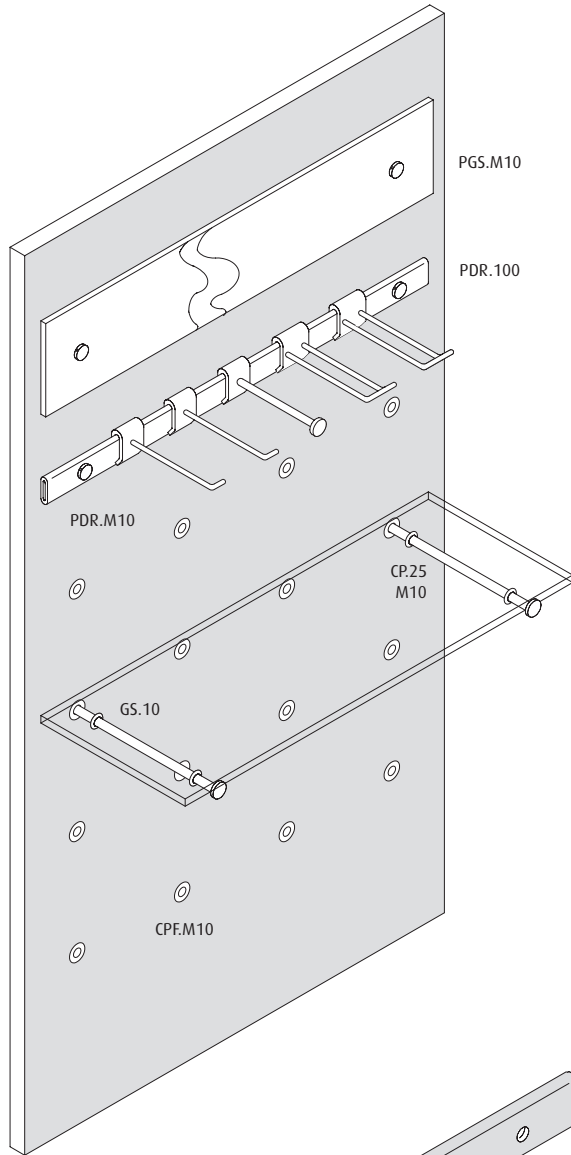
QSA.35
STEPPED ARM
LENGTH 350



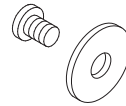
QFA.08/30/35
FORWARD ARM
LENGTH 80,300,350

D.04 Cap Ferrule Range

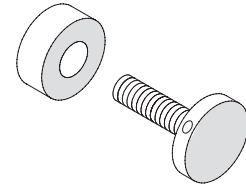
Cap ferrules are intended for mid to lightweight usage within a variety of applications. Cap ferrules are supplied loose for mounting into (18mm minimum) timber panels and are designed to receive a range of display fittings for perimeter or free standing locations. Ferrules are also available pre-fitted into custom made panels to suit customers specified finishes and dimensions. Fittings for our full cap ferrule range are illustrated below, Peerless-Assigns also have the ability to manufacture custom fittings to suit your needs.



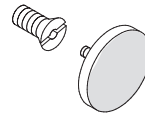
CPF.M8/M10
CAP FERRULE - LENGTH 20
For face fixing into panels, either using heavy duty adhesive to prevent rotation or movement, or with optional screw and washer set.



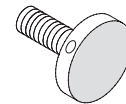
FSW.M6
FIXING SCREW
WASHER SET
optional extra screw washer set, to locate into rear of ferrule for additional support.



PDR.M8/M10
DISPLAY RAIL FIXING SCREW
LENGTH 30



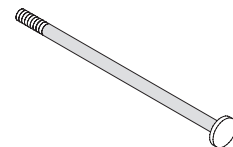
PGS.M8
GRAPHIC PANEL SCREW
LENGTH 15



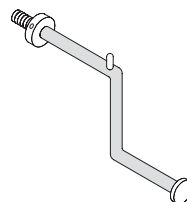
PGS.M10
GRAPHIC PANEL SCREW
LENGTH 15



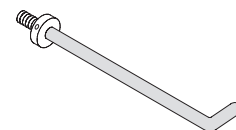
GS.08/10
SHELF WASHER
to suit M8/M10 prongs



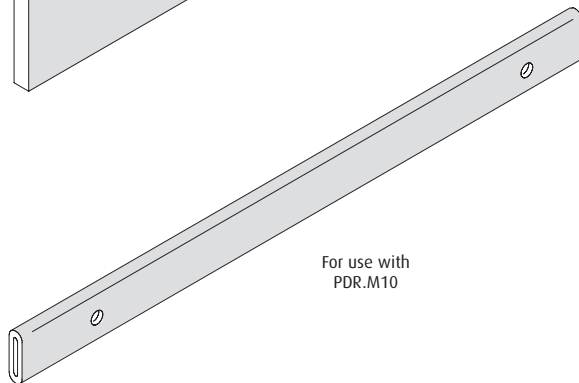
CAPPED PRONG
CP.15/25 M8
150/250L x 8ø
CP.15/25 M10
150/250L x 10ø



STEPPED PRONG
SP.15/25 M8
150/250L x 8ø



PANEL PRONG
PP.15/25 M8
150/250L x 8ø



For use with
PDR.M10

PDR.100
LIGHT DISPLAY RAIL
Light display rails are available to order in various lengths for fixing directly into ferrules at specified centres. Please refer to the rail section of our data sheets for more information on light rails and fittings.