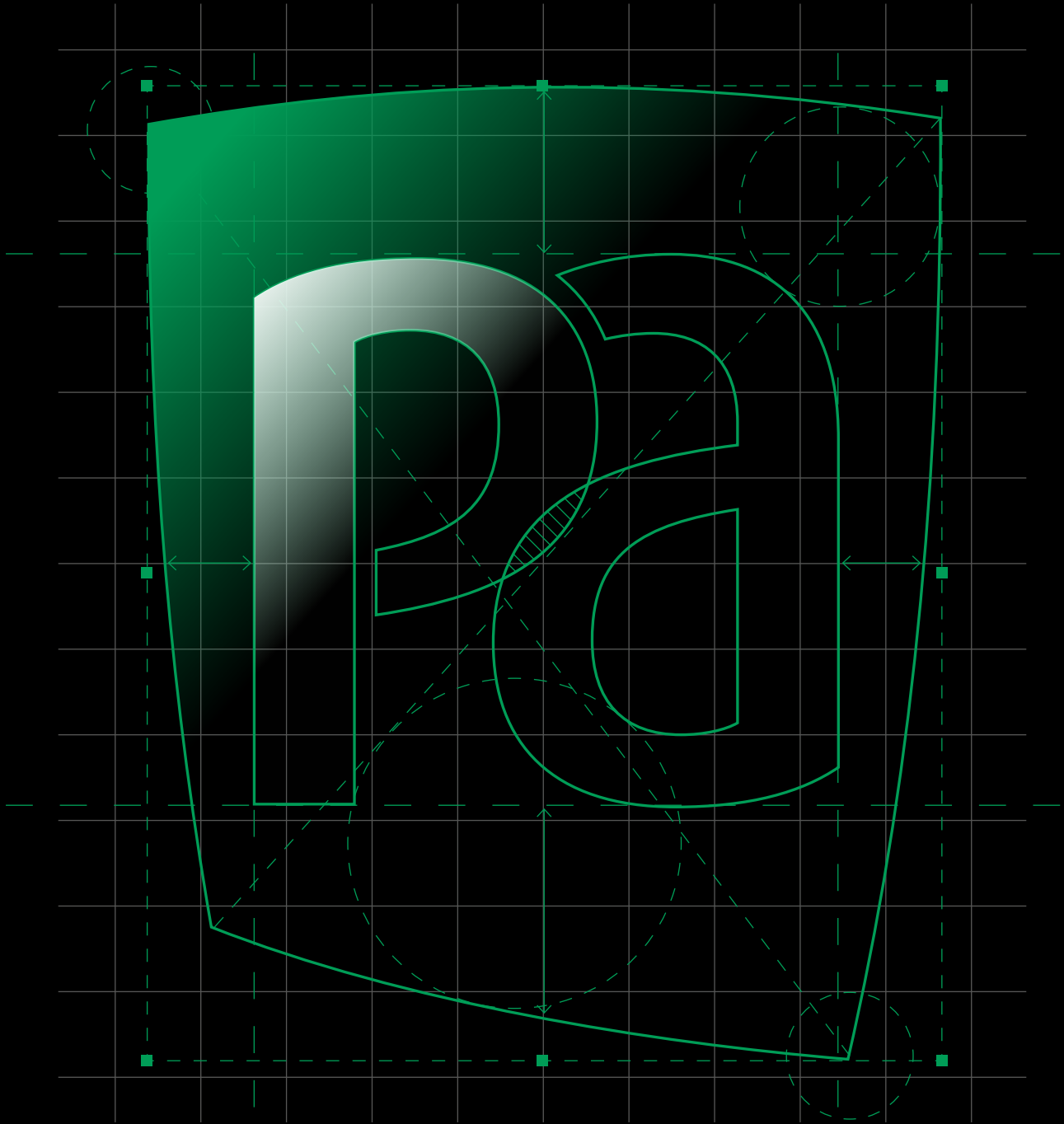




Peerless-Assigns
Total Retail Solutions



Merchandising Display Systems

PRODUCT OVERVIEW

01462 672 000
www.peerlessassigns.com



Peerless-Assigns
Total Retail Solutions

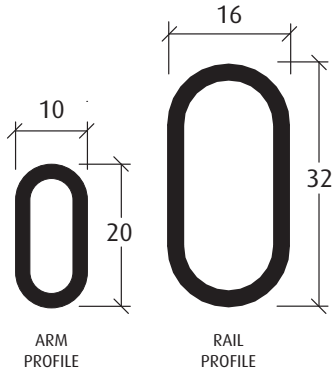
Data Sheets Contents.

RAILS, ARMS & FITTINGS

- C.01** Fine Display Rails
- C.02** Intermediate Display Rails
- C.03** All-in-one Display Rails
- C.04** Rectangular Display Rails

C.01 Light Display Rails

A selection of light, flat-sided oval display rails and accessories, for location into Peerless-Assigns uprights and posts. Designed to ensure maximum flexibility, these rails allow for direct side hanging of merchandise, or as rear supports for forward facing arms using appropriate brackets / prongs. Often popular with lighter merchandise such as lingerie, where a delicate aesthetic is desired, the light display rails are available in alternative lengths upon request, to suit a variety of modular sizes.



LSC.10/11/12



LSC.13

RAIL SIDE CUP

LSC.10 - Slot type A (1mm recess)

LSC.11 - Slot type B (8mm recess)

LSC.12 - Slot type C (11mm recess)

LSC.13 - face fixed



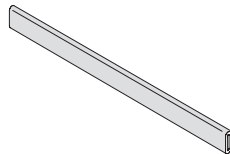
US.06

BARREL SHELF CLIP
for use with LIDR.100
or LIDR.120



LSH.10

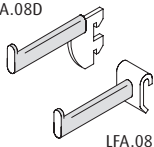
SUPPORT HOOK



LDR.100

DISPLAY RAIL
for use with side cups
LENGTH TO ORDER

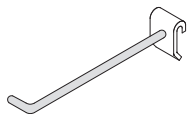
LFA.08D



LFA.08

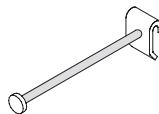
LFA.08/08D

DISPLAY PEG
LENGTH 80



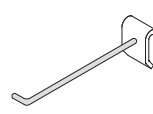
LPA.15/25

PRONG ARM
LENGTH 150 / 250



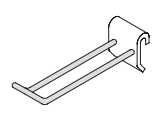
LCPA.15/25

CAPPED PRONG
LENGTH 150 / 250



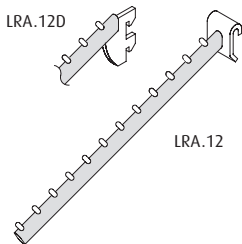
LHA.10/20

HOOK ARM
LENGTH 100 / 200



LDA.10/20

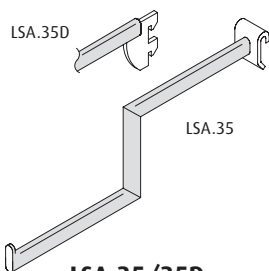
EUROHOOK ARM
LENGTH 100 / 200



LRA.12D

LRA.12

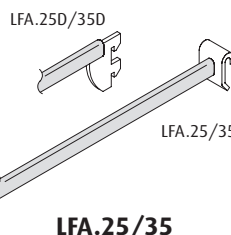
LRA.12/12D
RAKED ARM
(12 pin)



LSA.35D

LSA.35

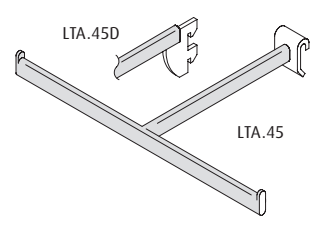
LSA.35/35D
STEPPED ARM
LENGTH 350



LFA.25D/35D

LFA.25/35

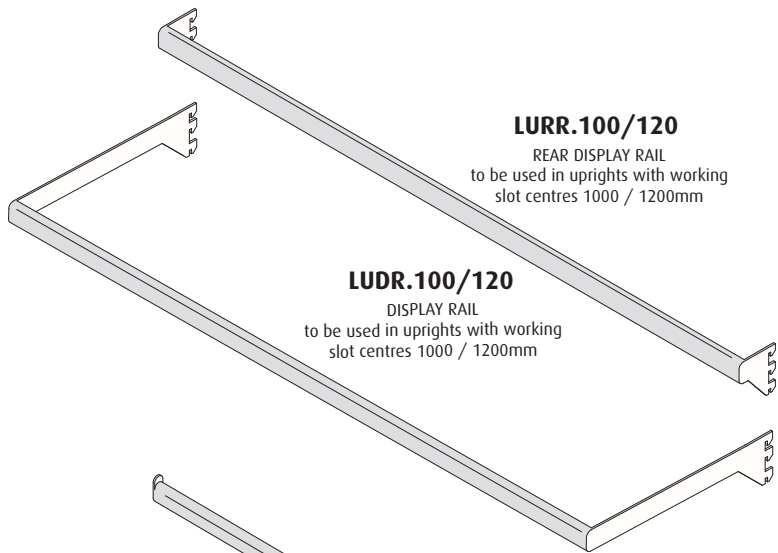
LFA.25/35
LFA.25D/35D
FORWARD ARM
LENGTH 250 / 350



LTA.45D

LTA.45

LTA.45/45D
TWO WAY ARM
450L X 250W

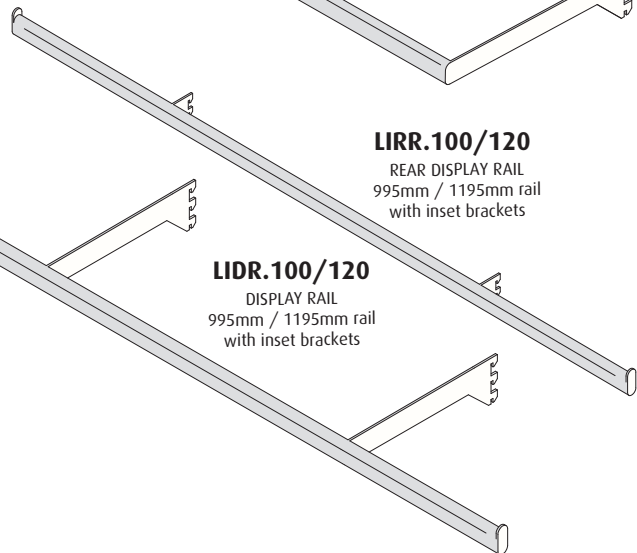


LURR.100/120

REAR DISPLAY RAIL
to be used in uprights with working
slot centres 1000 / 1200mm

LUDR.100/120

DISPLAY RAIL
to be used in uprights with working
slot centres 1000 / 1200mm



LIRR.100/120

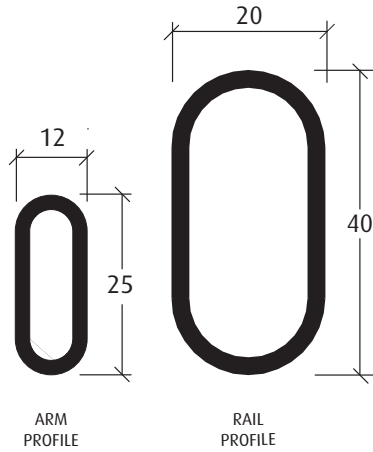
REAR DISPLAY RAIL
995mm / 1195mm rail
with inset brackets

LIDR.100/120

DISPLAY RAIL
995mm / 1195mm rail
with inset brackets

C.02 Standard Display Rails

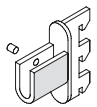
A selection of Standard, flat sided oval display rails and accessories, for location into Peerless-Assigns uprights and posts. Designed to ensure maximum flexibility, these rails allow for direct side hanging of merchandise, or as rear supports for forward facing arms using appropriate brackets / prongs. Often popular with heavier merchandise such as coats, where a secure but aesthetically pleasing look is desired. Standard display rails are available in alternative lengths upon request, to suit a variety of modular sizes.



ARM PROFILE

RAIL PROFILE

SSC.10/11/12



RAIL SIDE CUP

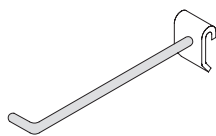
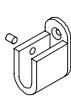
SSC.10 - Slot type A (1mm recess)

SSC.11 - Slot type B (8mm recess)

SSC.12 - Slot type C (11mm recess)

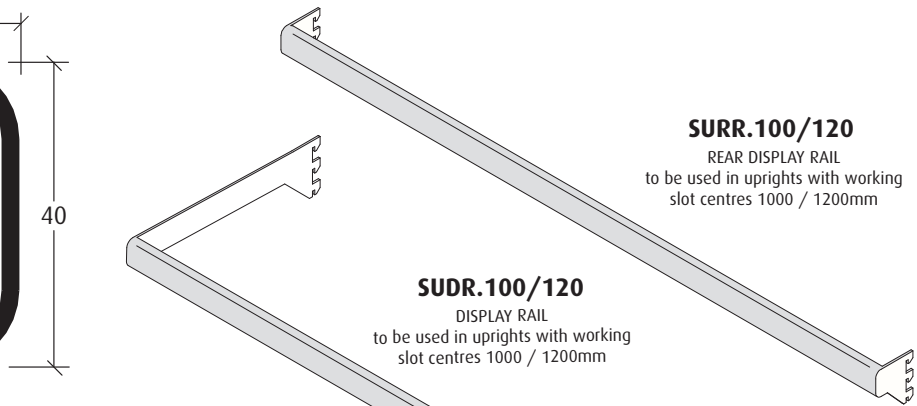
SSC.13 - face fixed

SSC.13



SPA.15/23/30

PRONG ARM
150L, 230L, 300L
respectively

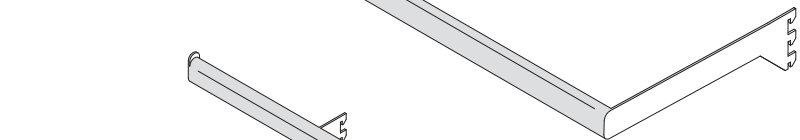


SURR.100/120

REAR DISPLAY RAIL
to be used in uprights with working
slot centres 1000 / 1200mm

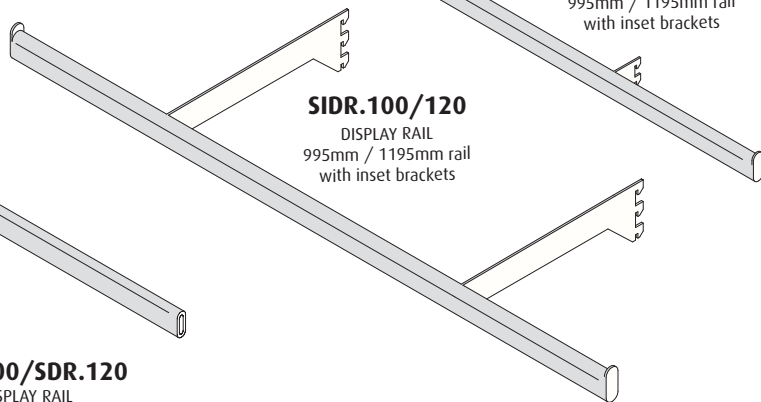
SUDR.100/120

DISPLAY RAIL
to be used in uprights with working
slot centres 1000 / 1200mm



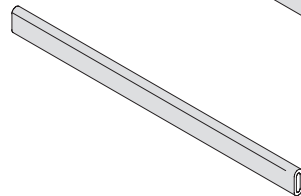
SIRR.100/120

REAR DISPLAY RAIL
995mm / 1195mm rail
with inset brackets



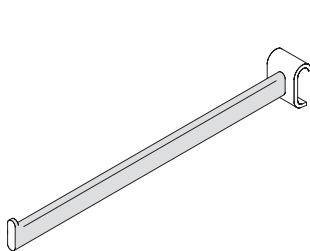
SIDR.100/120

DISPLAY RAIL
995mm / 1195mm rail
with inset brackets



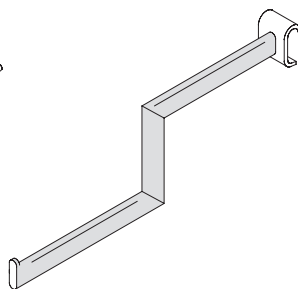
SDR.100/SDR.120

DISPLAY RAIL
for use with side cups
LENGTH TO ORDER



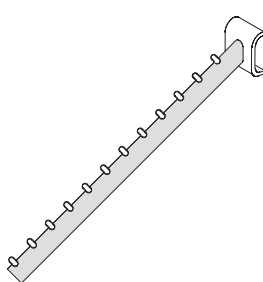
SFA.35

FORWARD ARM
LENGTH 350



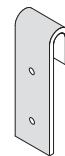
SSA.35

STEPPED ARM
LENGTH 350



SRA.12

RAKED ARM
(12 pin)

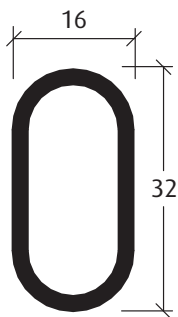
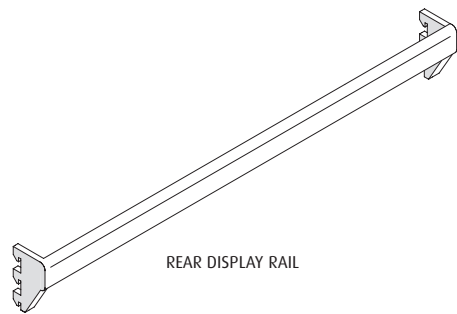
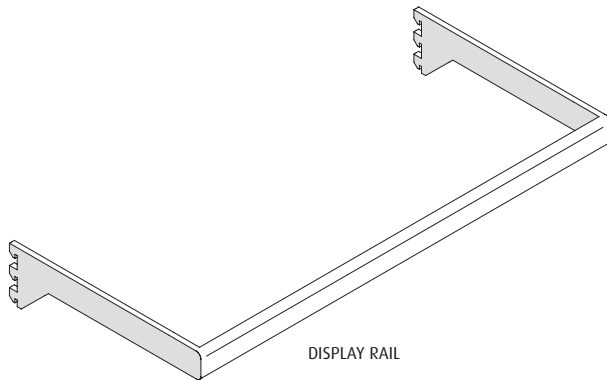


SSH.15
SUPPORT HOOK

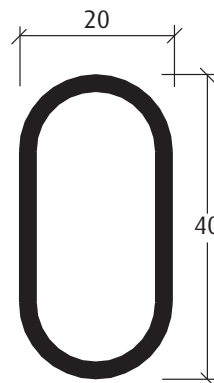
PLEASE NOTE:
Bespoke rails and fittings are available,
we recommend calling one of our sales
advisors for more information.

C.03 All-in-one Display Rails

Illustrated here are our LIGHT and STANDARD one piece flat sided oval range of display rails, complete with brackets. Display Rails are suitable for side hanging of merchandise, whilst Rear Display Rails accommodate forward facing arms. Peerless-Assigns are also able to supply more bespoke solutions where a mixture of rear and side hanging, for example, would be more suitable. Alternative rail lengths are of course available to order to suit your upright centres.

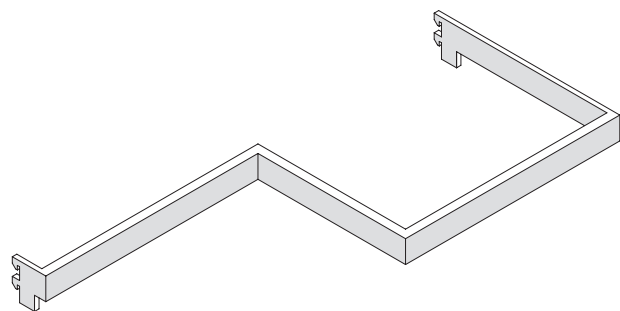
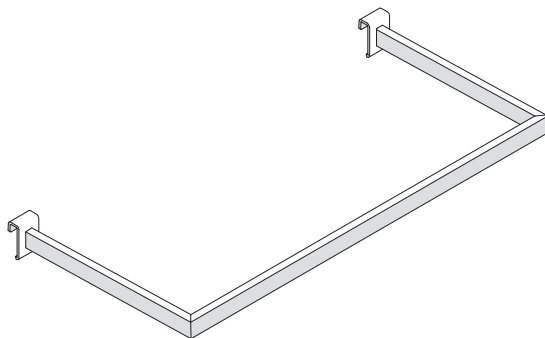


LIGHT DISPLAY RAILS
LUDR.100 - DISPLAY RAIL
LURR.100 - REAR DISPLAY RAIL
 RAIL CODES ENDING .100
 Rail length 1000mm nominal, for location into uprights with slots at 1000 working centres



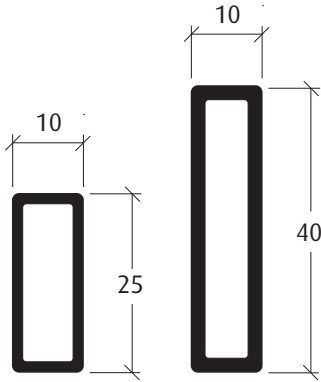
STANDARD RAILS
SUDR.100 - DISPLAY RAIL
SURR.100 - REAR DISPLAY RAIL
SUDR.120 - DISPLAY RAIL
SURR.120 - REAR DISPLAY RAIL
 RAIL CODES ENDING .120
 Rail length 1200mm nominal, for location into uprights with slots at 1200 working centres

Over the years at Peerless-Assigns we have worked on countless projects where bespoke solutions were required, and thus understand that sometimes a standard product just isn't quite perfect. That is why we are equipped to develop and deliver a solution that meets your exact requirements. Quite often small dimension changes or simple modifications to our standard range will suffice (as seen below with our bespoke 'Z' forward and side hanging rails) however we also have the facilities to develop a completely customised retail solution and recommend contacting us to discuss this further, via the details given below.



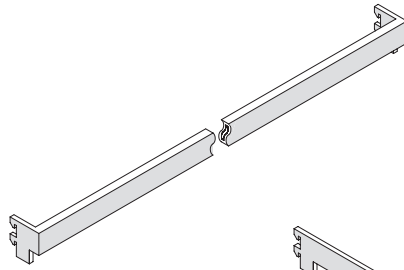
C.04 Rectangular Display Rails

A selection of rectangular display rails and fittings for location into Peerless-Assigns uprights and posts. Regular rail lengths are offered for location into uprights with working centres at either 1000mm or 1200mm. Rectangular rails allow for direct side hanging of merchandise, or as rear support for forward facing arms using appropriate brackets / prongs. Often used in conjunction with one of our rectangular post profiles these rails can provide a consistent desirable aesthetic throughout.

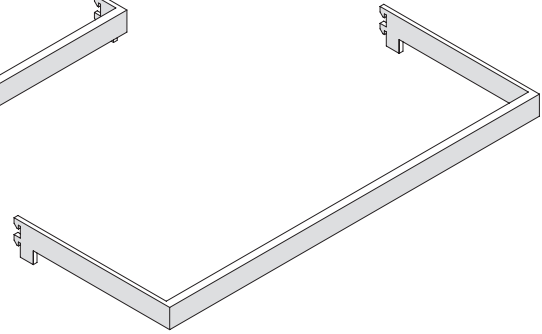


ARM PROFILE

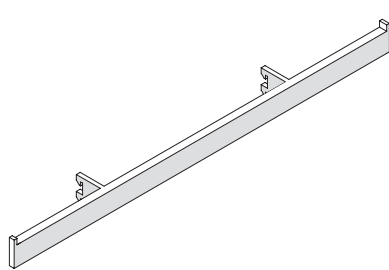
RAIL PROFILE



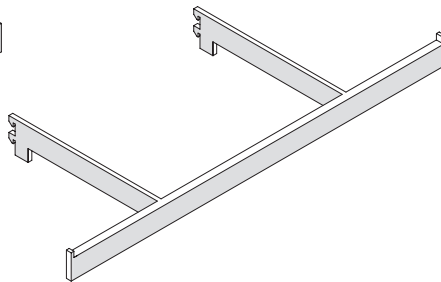
RRR.100/120
REAR DISPLAY RAIL
to be used in uprights with working
slot centres 1000/1200mm



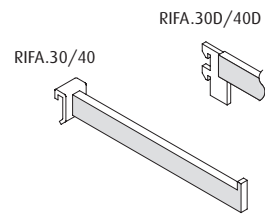
RUDR.100/120
DISPLAY RAIL
to be used in uprights with working
slot centres 1000/1200mm



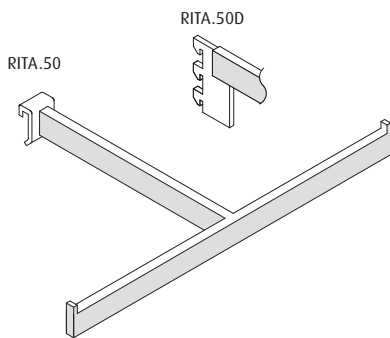
RIRR.100/120
REAR DISPLAY RAIL
995/1195mm with inset brackets



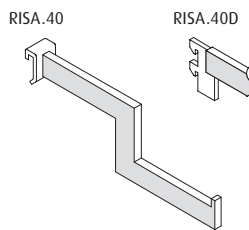
RIDR.100/120
FORWARD DISPLAY RAIL
995/1195mm with inset brackets



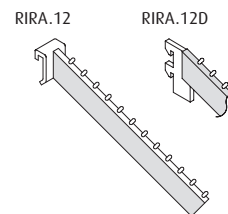
FORWARD ARM
RIFA.30 - LENGTH 300mm
RIFA.40 - LENGTH 400mm
RIFA.30D - LENGTH 300mm
RIFA.40D - LENGTH 400mm



TWO-WAY ARM
RITA.50 - LENGTH 500 x 270
RITA.50D - LENGTH 500 x 270
alternative dimensions can be
made to suit



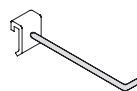
RISA.40/40D
STEPPED ARM
LENGTH 400mm



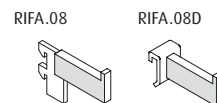
RIRA.12/12D
RAKED ARM
(12 pin)



RSH.10
SUPPORT HOOK



RPA.15/23
PRONG ARM
LENGTH 150/230mm



RIFA.08/08D
DISPLAY PEG
LENGTH 80mm