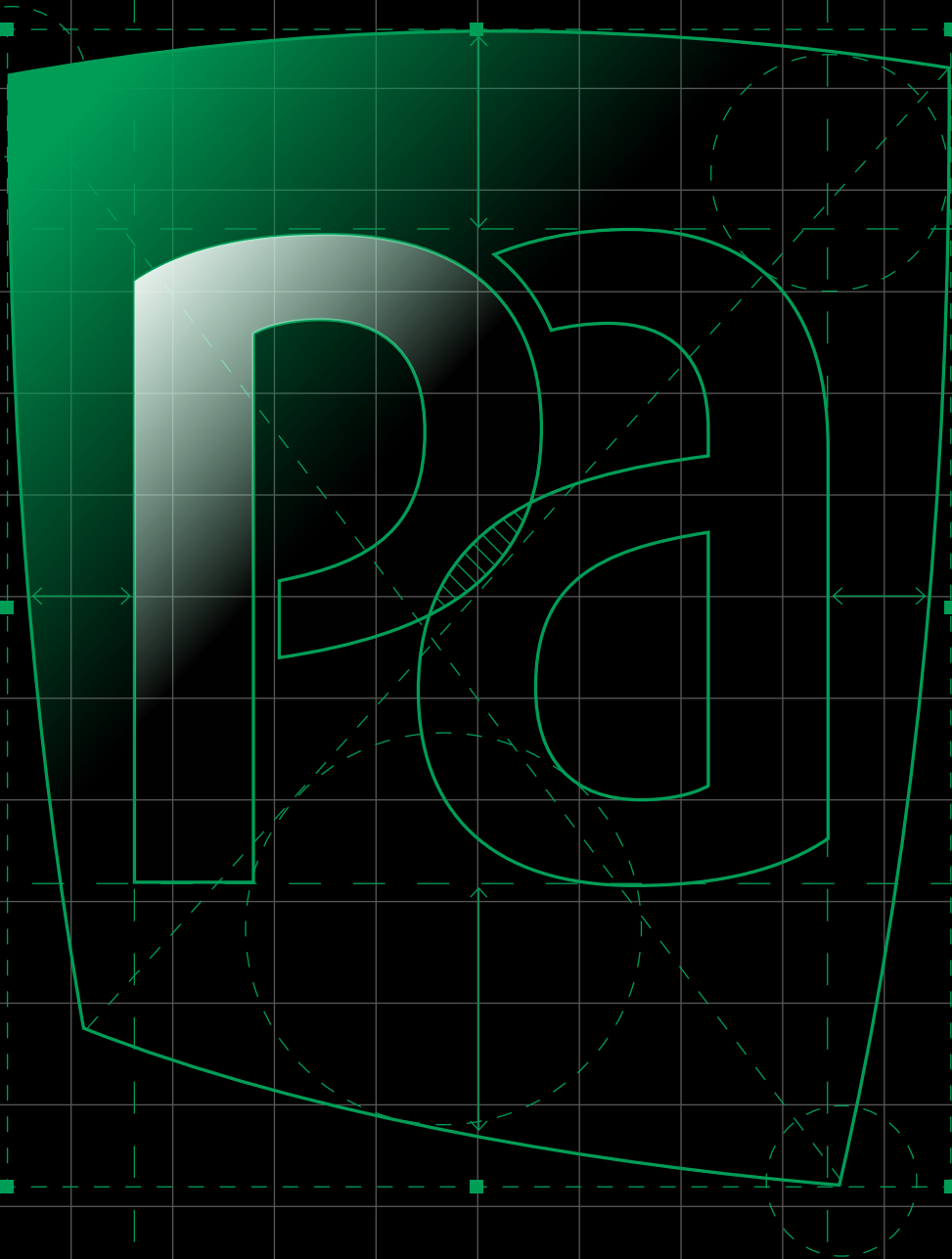




Peerless-Assigns
Total Retail Solutions



Merchandising Display Systems

PRODUCT OVERVIEW

01462 672 000
www.peerlessassigns.com



Peerless-Assigns
Total Retail Solutions

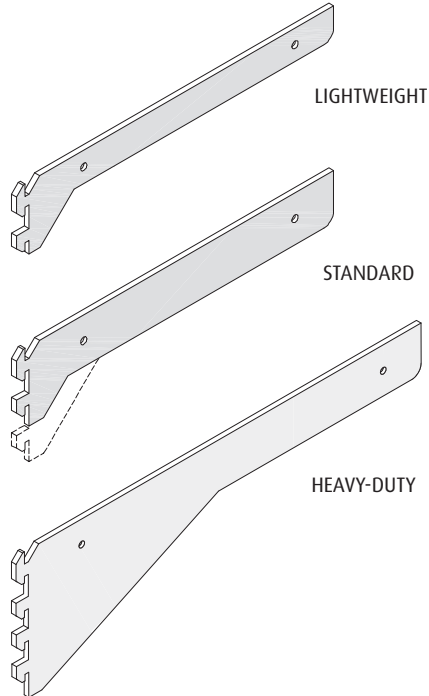
Data Sheets Contents.

BRACKETS & FITTINGS

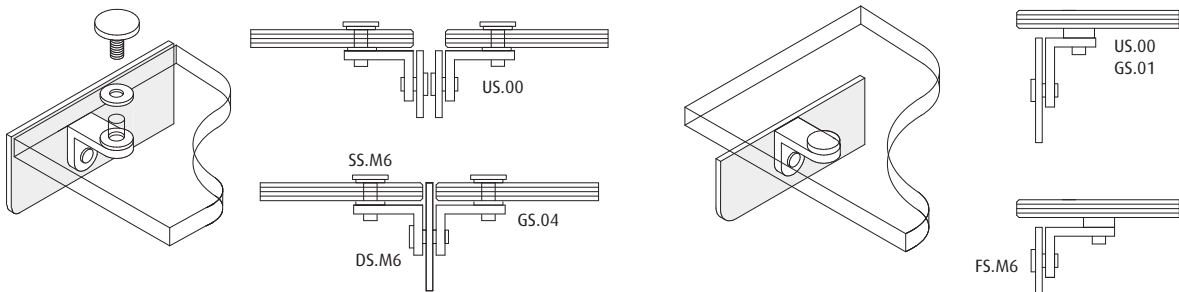
- B.01** Linear Brackets
- B.02** Rectangular Brackets
- B.03** Curved Brackets
- B.04** Specialist Brackets

B.01 Linear Brackets

As with all Peerless-Assigns brackets, our linear range are flat blade type, constructed from 3mm mild steel and designed for use on all of our uprights. Linear brackets can be used in conjunction with a number of shelf clips and fittings, the configuration options are detailed below. Peerless-Assigns also offer a range of more specialist brackets, including two-way and adjustable brackets, information on which is available in data sheet B.04, Specialist Brackets.

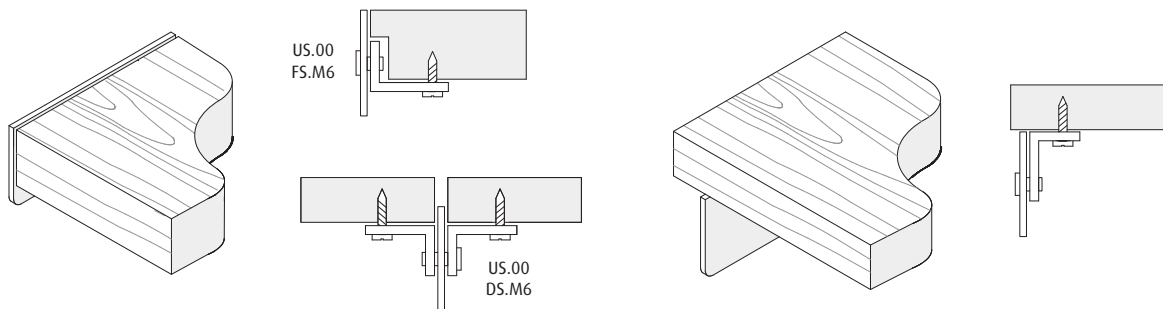


BRACKET TYPE	Blade Height	No. of Hooks	O/A Length
LB.15	30mm	2	180mm
LB.23	30mm	2	260mm
LB.30	30mm	2	330mm
LB.40	30mm	2	430mm
SB.23	47mm	2	260mm
SB.30	47mm	2	330mm
SB.40	47mm	3	430mm
HB.30	47mm	3	330mm
HB.40	47mm	4	430mm
HB.50	47mm	4	530mm



A - Glass Shelves supported inside lightweight / standard brackets in both single and double slotted uprights.

B - Glass Shelves supported over lightweight / standard brackets.



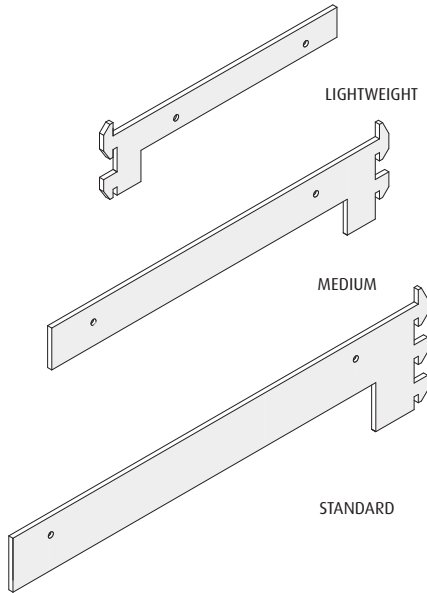
C - Solid Shelves supported inside lightweight / standard brackets utilising the US.00 shelf clip.

D - Solid Shelves supported over lightweight / standard brackets utilising the US.00 shelf clip.

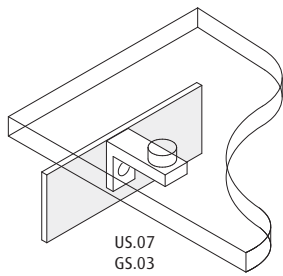
The fittings illustrated above can be found on the following data sheet B.02.

B.02 Rectangular Brackets

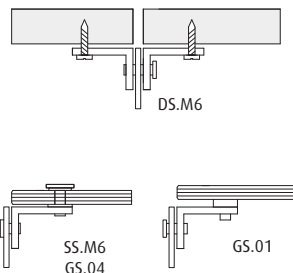
Designed for universal use on all uprights, rectangular brackets can be used in conjunction with a number of shelf clips and fittings to achieve the desired single or double sided outcome. Available for a range of applications from lightweight to heavyweight our rectangular range of brackets is often combined with our rectangular range of uprights for a universally pleasing aesthetic.



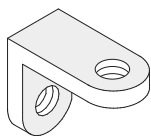
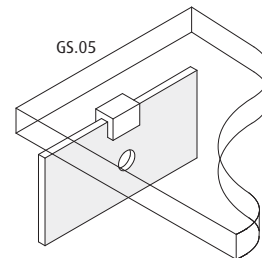
BRACKET TYPE	Blade Height	No. of Hooks	O/A Length
RLB.15	25mm	2	175mm
RLB.20	25mm	2	225mm
RLB.25	25mm	2	275mm
RMB.20	35mm	2	225mm
RMB.25	35mm	2	275mm
RMB.30	35mm	2	325mm
RMB.35	35mm	2	375mm
RSB.30	45mm	3	325mm
RSB.40	45mm	3	425mm
RSB.50	45mm	3	525mm



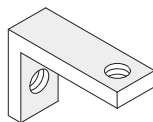
A - Glass / Solid Shelves supported over rectangular brackets utilising the rectangular US.07 shelf clip.



B - In instances where the glass oversails the edge of the bracket a GS.05 plastic saddle may be used.



US.00
CURVED SHELF CLIP
for use with linear range



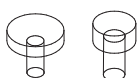
US.07
RECTANGULAR SHELF CLIP
for use with rectangular range



FS.M6
SINGLE LOCKING SCREW
for use with US.00/07



DS.M6
DOUBLE LOCKING SCREW
for use with US.00/07



GS.01/03
GLASS SHELF STUD
for use with US.00/07



GS.04
GLASS SHELF WASHER
for use with SS.M6 + US.00



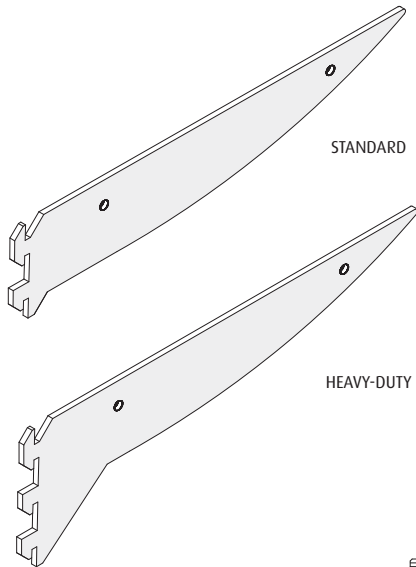
GS.05
GLASS SHELF PLASTIC SADDLE



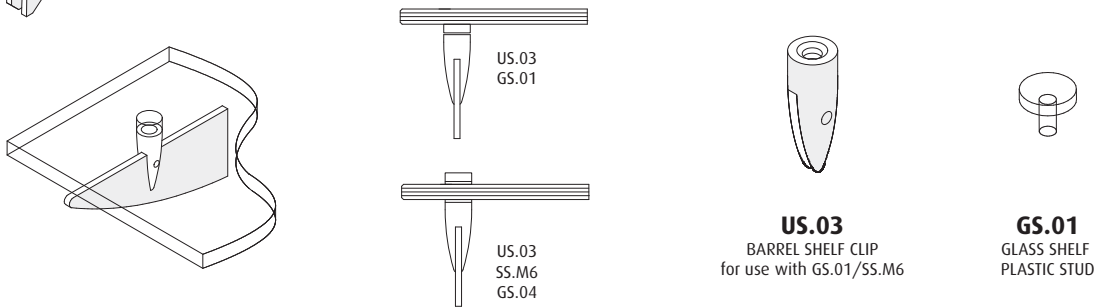
SS.M6
GLASS SHELF SCREW
for use with GS.04

B.03 Curved Brackets

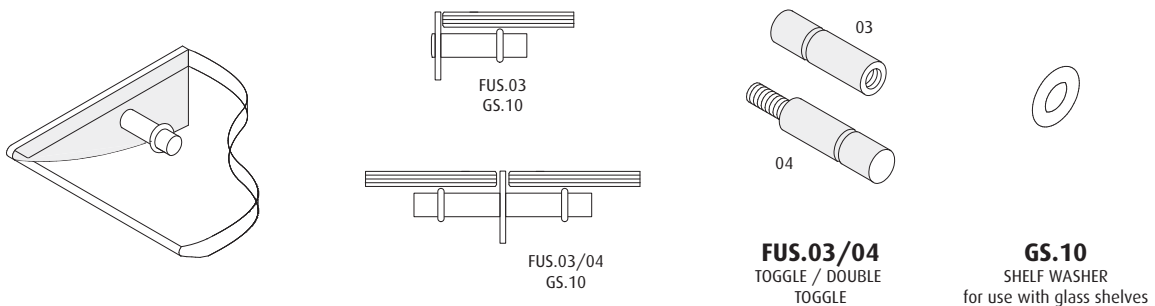
Designed for universal use on all uprights, curved brackets can be used in conjunction with a number of shelf clips and fittings to achieve the desired single or double sided outcome. Available for a range of applications from lightweight to heavyweight our curved range of brackets is often combined with an elliptical upright for a universally pleasing aesthetic.



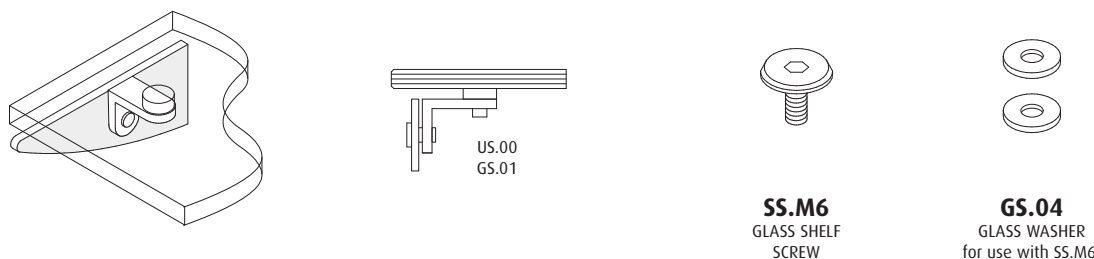
BRACKET TYPE	Blade Height (at rear end of curve)	No. of Hooks	O/A Length
CSB.15	46mm	2	180mm
CSB.20	46mm	2	225mm
CSB.25	48mm	2	280mm
CSB.30	58mm	2	325mm
CSB.40	58mm	2	425mm
CHB.30	60mm	3	325mm
CHB.35	58mm	3	375mm
CHB.40	59mm	3	425mm



A - Glass / Solid Shelves supported over curved brackets utilising the curved US.03 shelf clip.



B - Glass / Solid Shelves supported inside curved brackets utilising the FUS.03/04 toggle & GS.10.

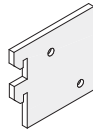
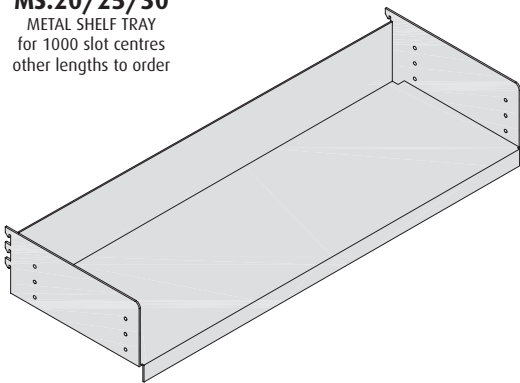


C - Glass / Solid Shelves supported over curved brackets utilising the US.00 shelf clip.

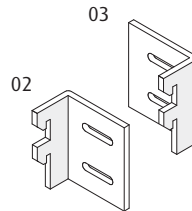
B.04 Specialist Brackets

Over the years we have worked on countless projects where bespoke solutions were required which is why, at Peerless-Assigns, we understand that sometimes a product just isn't quite perfect. Our specialist range of brackets aims to fill the niche, where brackets are manufactured to our client's specification. Whether it is an adjustable bracket or folded metal shelf you require, our manufacturing team will be sure to deal with your requests promptly. Please feel free to send us any drawings / enquiries using the details found at the bottom of this page.

MS.20/25/30
METAL SHELF TRAY
for 1000 slot centres
other lengths to order



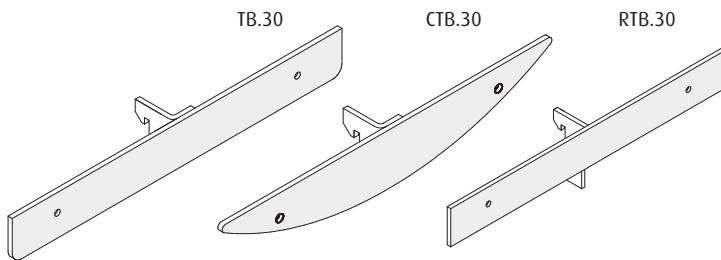
FB.01
FIXING BRACKET



FB.02/03
FIXING BRACKET
left / right hand



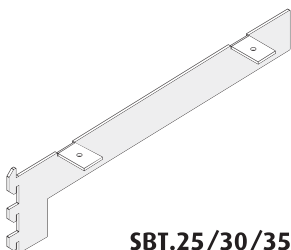
SH.03
SUPPORT HOOK



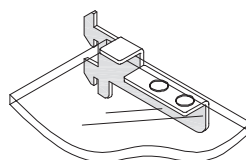
TWO-WAY BRACKETS

BRACKET TYPE	No. of Hooks
TB.30	2
CTB.30	2
RTB.30	2

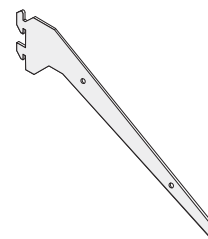
Peerless-Assigns two-way brackets are a popular choice for those with self-supporting or mid-floor uprights. They are available to order at a width that suits your requirements, although our 300mm range illustrated above is most popular due to their ideal length for two-way merchandising.



SBT.25/30/35
BRACKET WITH TABS
To support glass/timber shelves



RCB.95
CLAMP BRACKET
95mm Projection, for 8mm glass shelves. Set of 2 brackets with self-adhesive studs.



AB.300
ANGLE BRACKET
25° to support timber shelves