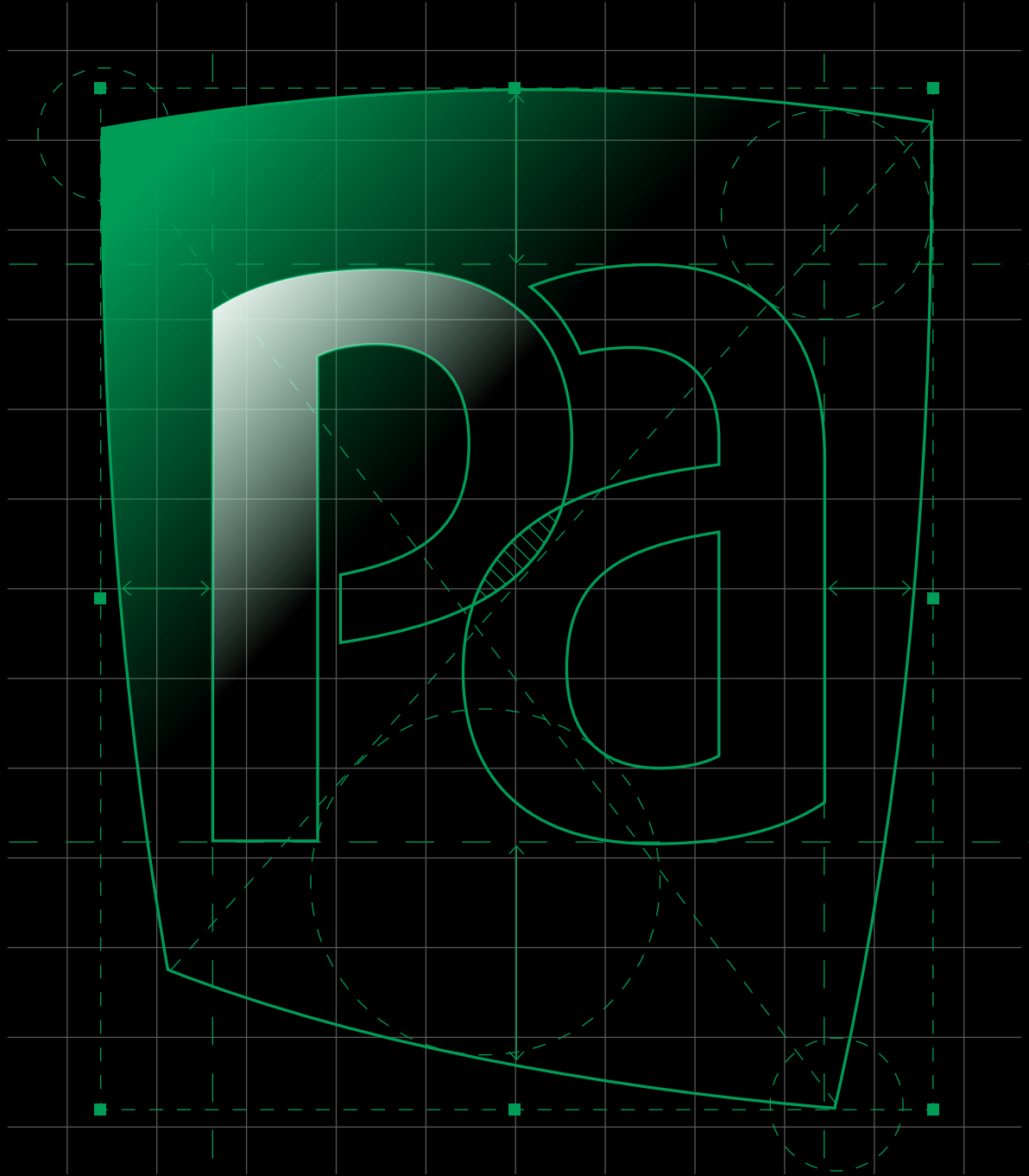




Peerless-Assigns  
Total Retail Solutions



# Merchandising Display Systems

PRODUCT OVERVIEW

01462 672 000  
[www.peerlessassigns.com](http://www.peerlessassigns.com)



**Peerless-Assigns**  
Total Retail Solutions

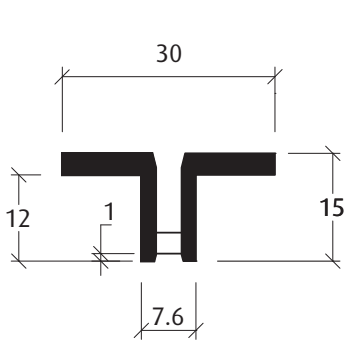
# Data Sheets Contents.

## UPRIGHTS & CHANNELS

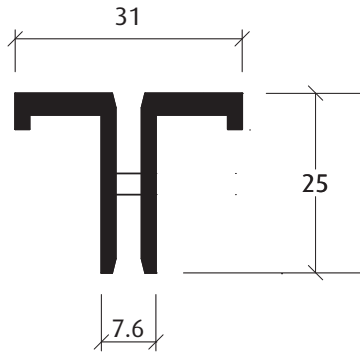
- A.01** Integrated Uprights
- A.02** Sideline Fittings
- A.03** Surface Uprights - Rectangular
- A.04** Surface Uprights - Square & Elliptical
- A.05** Hanging Uprights - FREELINE System
- A.06** Hanging Uprights - FREELINE System

# A.01 Integrated Uprights

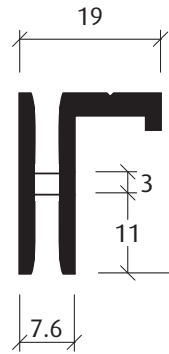
Applied uprights for use in normal or heavier duty surface or recessed applications. Suitable infill panels can be fitted between relevant sections to accommodate design requirements. SU.26 uprights can be used in left or right hand positions.



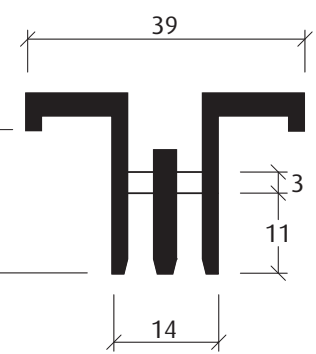
**SU.10**  
LENGTH 2500 nominal



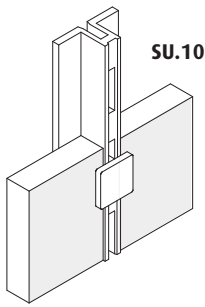
**SU.25**  
LENGTH 2500 nominal



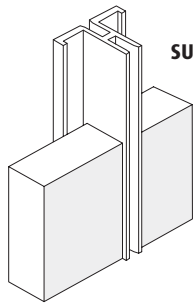
**SU.26**  
LENGTH 2500 nominal



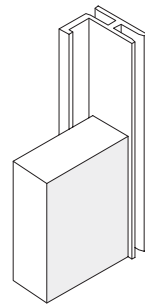
**SU.37**  
LENGTH 2500 nominal



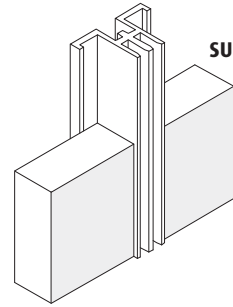
**SU.10**



**SU.25**



**SU.26**



**SU.37**



**SU.P5**

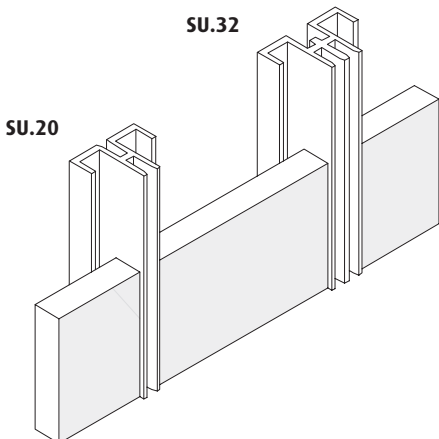
PANEL RETAINER  
Finish - Clear Acrylic for 1mm recessed  
slotted uprights only (SU.10).



**SU.P6**

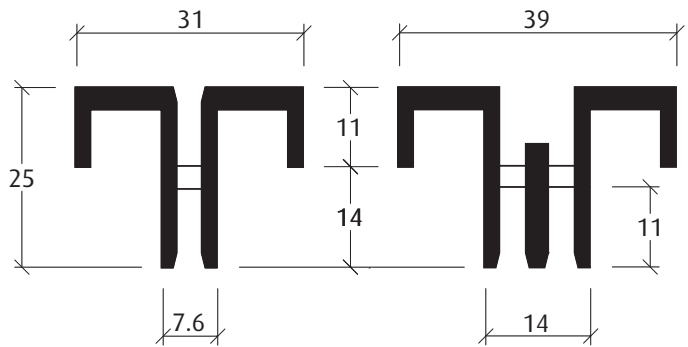
PANEL RETAINER  
Finish - Clear Acrylic for 11mm  
recessed slotted uprights.

Both sets of SU.25/26/37 and SU.20/26/32 may be used independently or in combination with each other. All sections can also be combined, subject to suitable setting out and infill panels being packed or rebated as applicable.

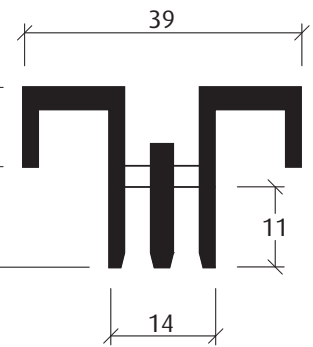


**SU.32**

**SU.20**

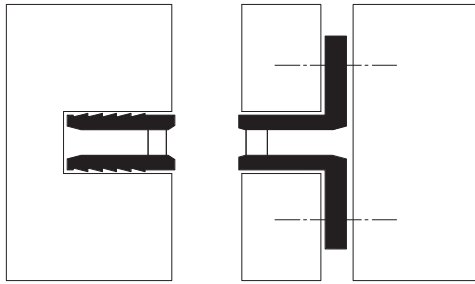


**SU.20**  
LENGTH 2500 nominal



**SU.32**  
LENGTH 2500 nominal

# A.02 Sideline Fittings

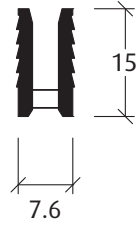


SU.70

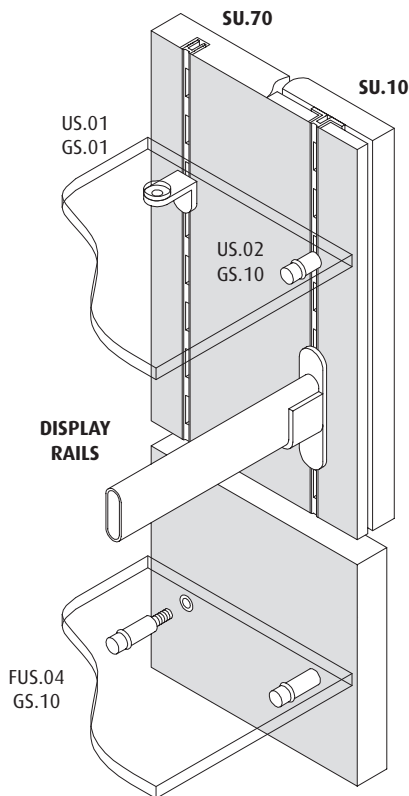
SU.10

SU.70 uprights for rebating into panels or hardwood posts. Recommended for side fittings only, not for cantilevered loads. Apply strong adhesive to sides of upright when fixing, ensuring rear slot is kept clear to avoid impeding bracket location.

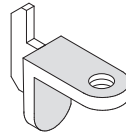
SU.10 uprights are suitable for side fixing and for use with infill panels.



**SU.70**  
LENGTH 2500 Nominal

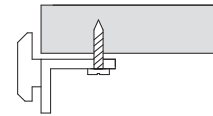


FUS.04  
GS.10



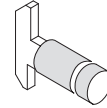
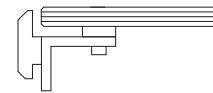
**US.01**  
SHELF CLIP  
for use with (SU.70,10)

**A**  
US.01



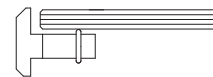
**GS.01**  
SHELF STUD  
for use with US.01

**B**  
US.01  
GS.01



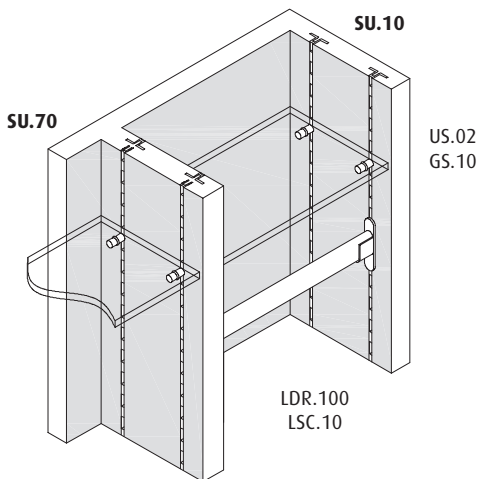
**US.02**  
SHELF CLIP  
for use with (SU.70,10)

**C**  
US.02  
GS.10



**GS.10**  
SHELF WASHER  
for use with US.02

**PLEASE NOTE:**  
Display rails and fittings are also available - please see later corresponding data sheets.



SU.70

SU.10

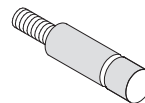
US.02  
GS.10

LDR.100  
LSC.10

**SIDE APPLICATIONS**



**CSF.M6**  
MICRO  
FERRULE



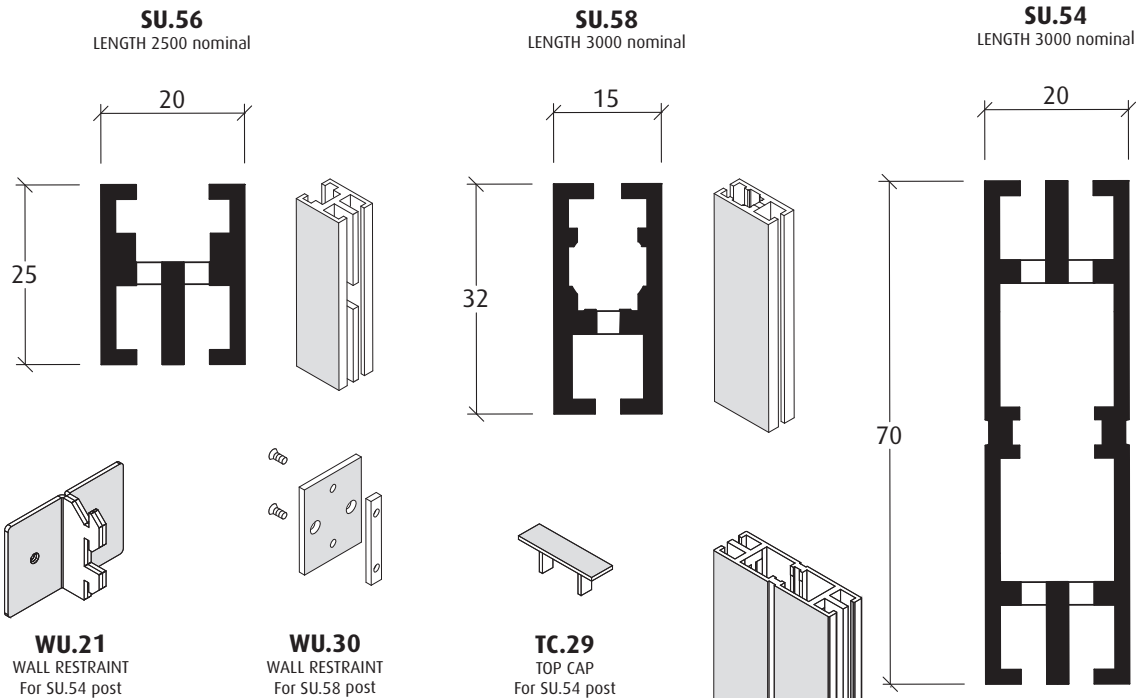
**FUS.04**  
TOGGLE

**D**  
FUS.04  
GS.10



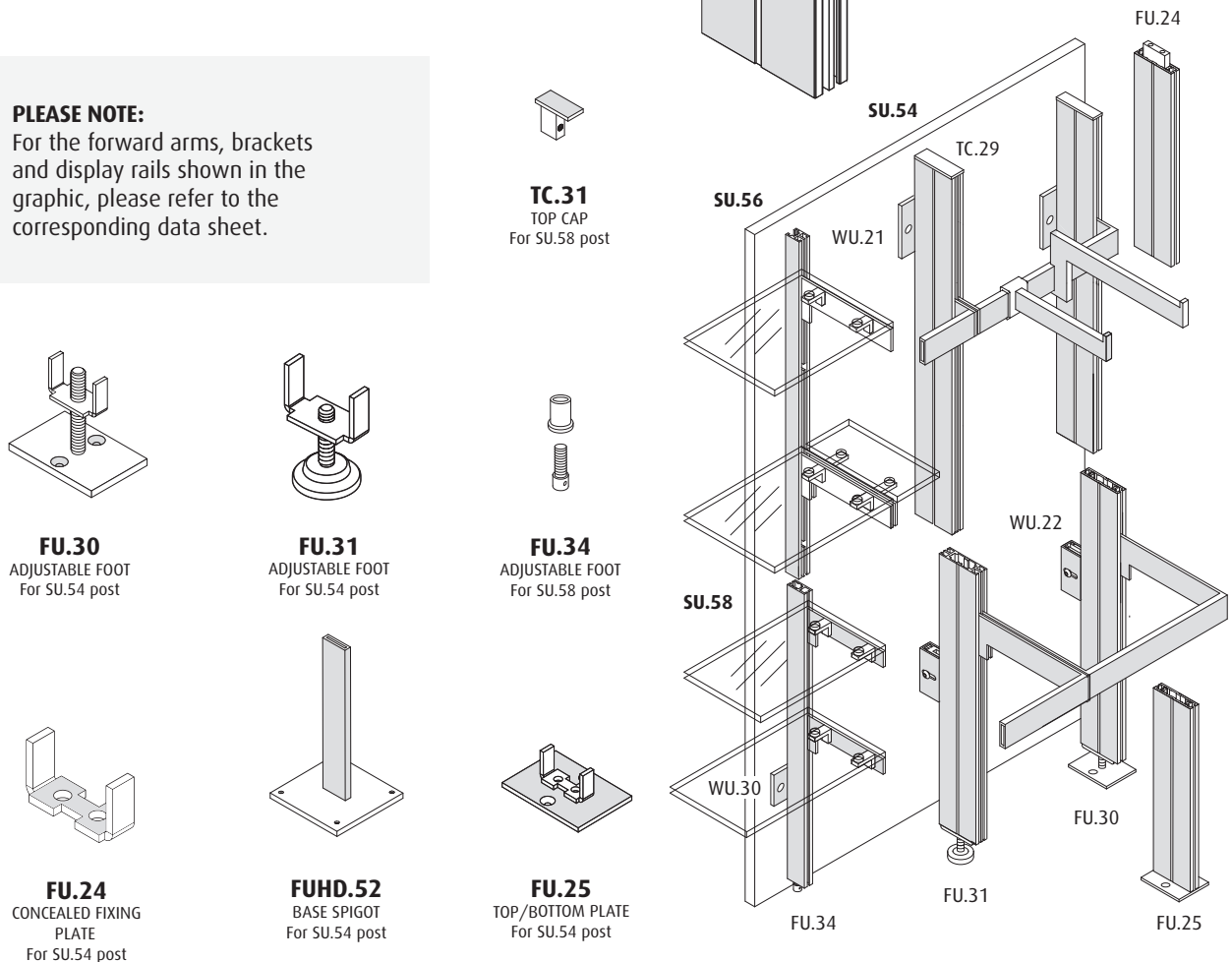
# A.03 Surface Uprights - Rectangular

Rectangular post uprights can be used in applied perimeter or mid-floor applications. An associated range of rectangular fittings are available (see rectangular brackets, rails and fittings on respective data sheets). Alternatively, posts may be combined with a wide variety of other Peerless-Assigns accessories.



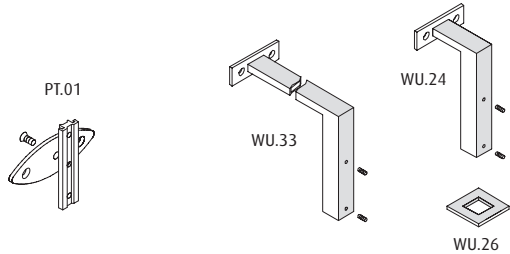
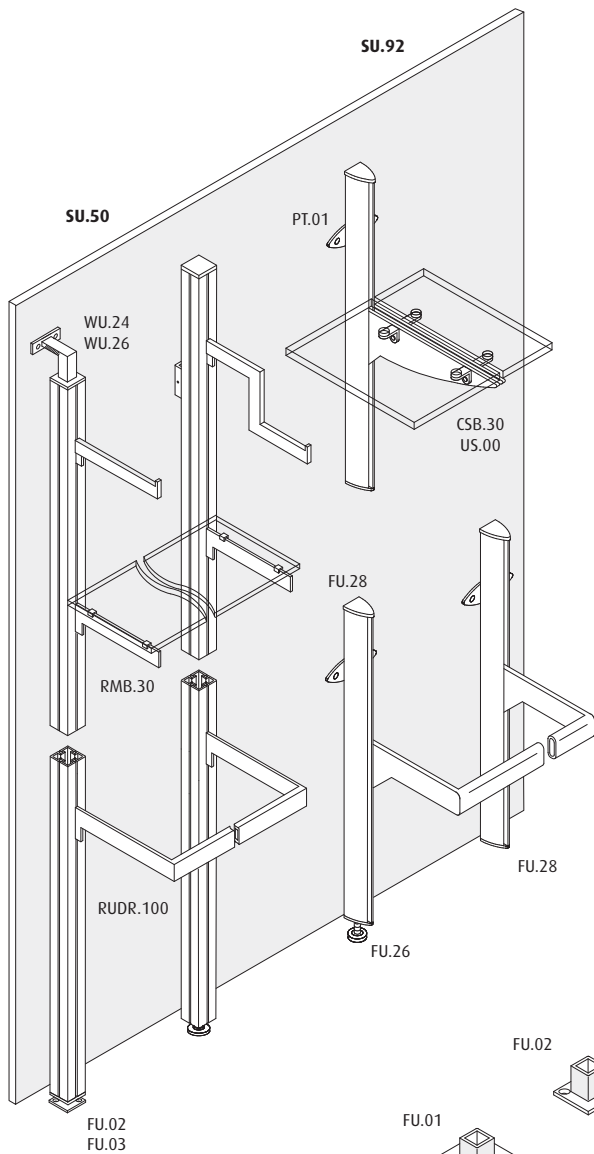
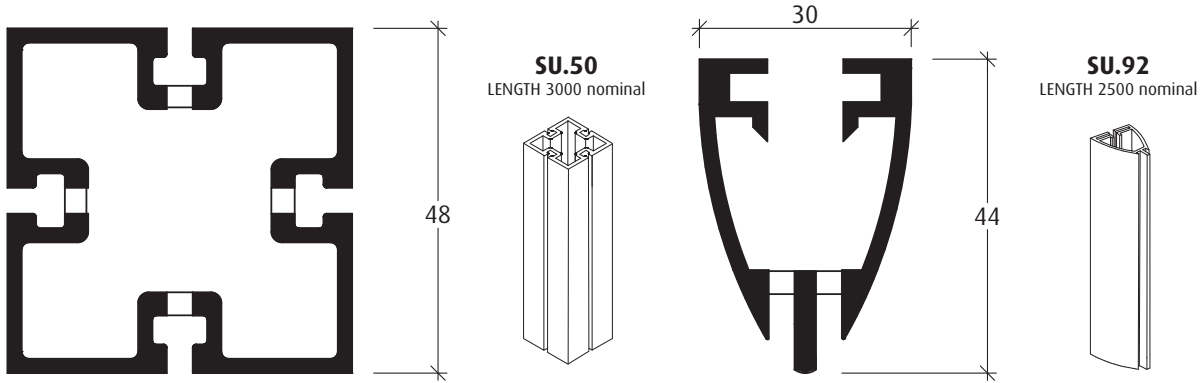
**PLEASE NOTE:**

For the forward arms, brackets and display rails shown in the graphic, please refer to the corresponding data sheet.



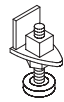
# A.04 Surface Uprights - Square & Elliptical

Our range of square and elliptical posts can be used in a wide variety of applications. The square SU.50 post profile can be used for applied or self supporting structures, in perimeter or island locations, whereas our elliptical SU.92 post profile is better utilised when fixed directly onto elevations. All of our posts will accept a wide variety of Peerless-Assigns brackets, rails and accessories illustrated within the respective sections of our datasheets.



**PT.01**  
WALL TOGGLE  
for post to wall fixing  
of SU.92

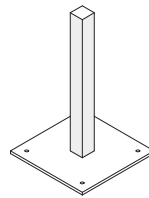
**WU.24/33**  
WALL RESTRAINT  
for top fixing of SU.50 -  
(alternative lengths to order)



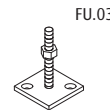
**FU.26**  
ADJUSTABLE FOOT  
for use on SU.92



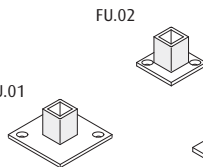
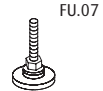
**FU.28**  
BOTTOM/TOP CAP  
for use on SU.92



**FU.HD6**  
BASE SPIGOT  
for use on SU.50



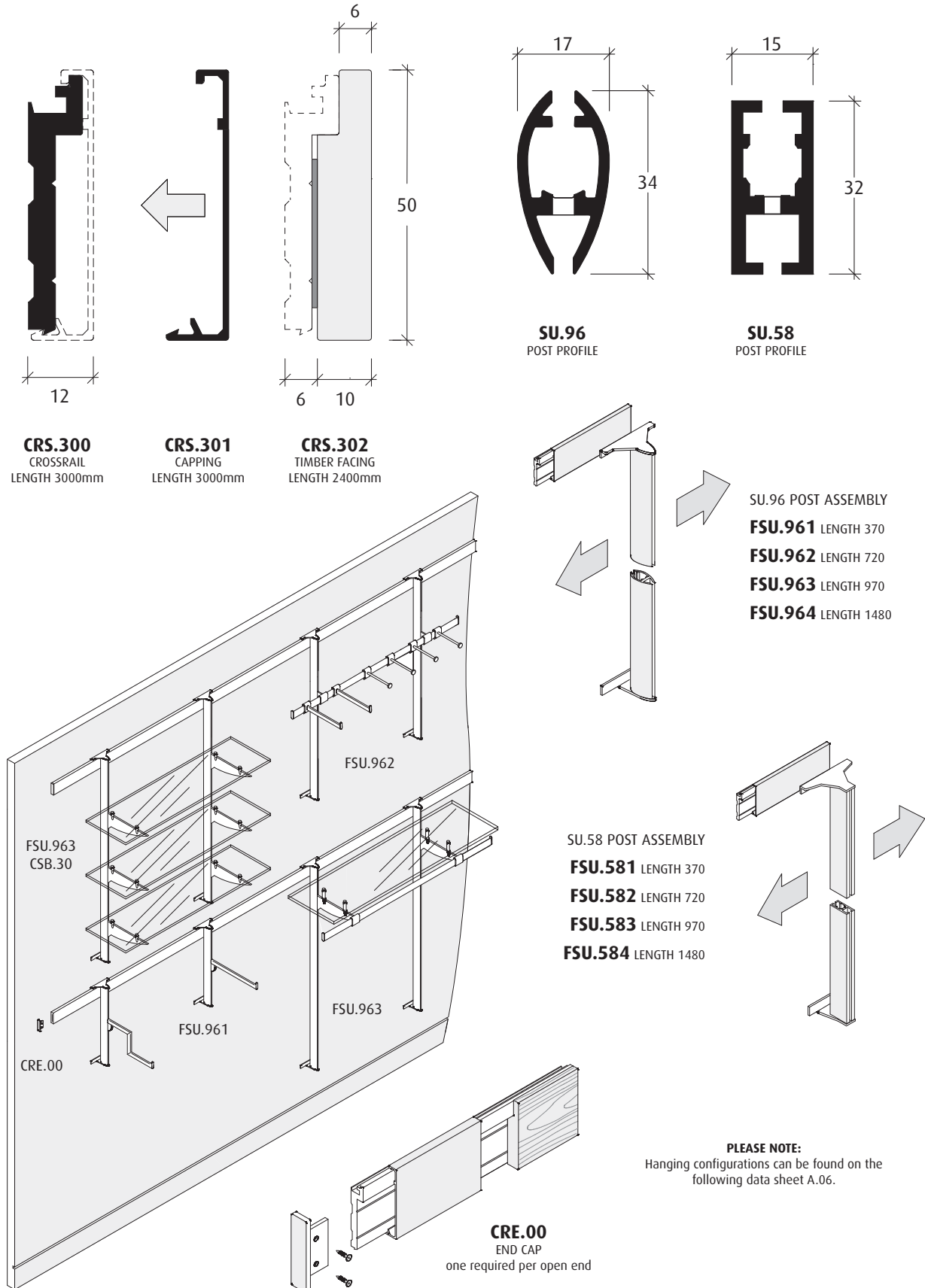
**FU.03/07**  
ADJUSTABLE FEET  
for use on SU.50



**FU.01/02 & 32**  
FIXING PLATES  
for use on SU.50 upright posts  
(optional adjustable FU.02 insert  
for use with threaded feet)

# A.05 Hanging Uprights - FREELINE System

The FREELINE system is designed to offer complete flexibility, through a combination of both horizontal and vertical adjustability. Our surface-mounted horizontal cross rails are available for single or double tier presentation, with optional decorative claddings. Adjustable vertical components are suspended from cross rails and can be combined with our custom manufactured accessories to suit all of your display requirements.



# A.06 Hanging Uprights - FREELINE System

Interchangeable panels are available to order for graphic presentations, or pre-fitted with integral Peerless-Assigns ferrules or slotted uprights ready to receive adjustable accessories. Panel examples, A, B and C illustrate three options of many different configurations offered.

